

## FORMAT

### HABAWABA INTERNATIONAL FESTIVAL 2017

#### Summary

<u>1. General</u> .....	2
<u>2. U11 Category (2006-2007)</u> .....	2
<u>2.1. Groups</u> .....	2
<u>2.2. Tournament Phases</u> .....	2
<u>2.2.1. PHASE A</u> .....	2
<u>2.2.2. PHASE B</u> .....	3
<u>2.2.3. PHASE C</u> .....	4
<u>2.2.3.1 HaBaWaBa Gold Tournament - U11</u> .....	4
<u>2.2.3.2 HaBaWaBa Silver Tournament – U11</u> .....	5
<u>2.2.3.3 HaBaWaBa Bronze tournament U-11</u> .....	5
<u>3. U09 Category (2008-2009)</u> .....	5
<u>3.1. Groups</u> .....	5
<u>3.2. Tournament Phases</u> .....	6
<u>3.2.1. PHASE A</u> .....	6
<u>3.2.2. PHASE B</u> .....	6
<u>3.2.3. PHASE C</u> .....	7
<u>3.2.3.1 HaBaWaBa Gold Tournament - U09</u> .....	7
<u>3.2.3.2 HaBaWaBa Silver Tournament – U09</u> .....	8
<u>3.2.3.3 HaBaWaBa Bronze Tournament U-09</u> .....	9

## 1. General

This document will represent synthetically the format of “**HaBaWaBa International Festival 2017**”.

The tournament will be divided into 2 categories, according to the age of participants. Consequently there will be:

- **U11 category for kids born 2006-2007**
- **U09 category for kids born 2008 and younger**

The overall number of teams is **120**

- **96** teams will participate in the U11 category
- **24** teams will participate in U09 category

The tournament duration is **6** days.

Infrastructure and facilities within the GE.TUR Village consist of five competition fields:

- Four fields are dedicated to the **U11** category
- One field is dedicated to the **U9** Category.

The tournament will be divided in different phases, more information will be provided in the following paragraphs.

## 2. U11 Category (2006-2007)

Below are explained the tournament phases for the U11 Category

### 2.1. Groups

The U11 tournament is composed from 16 group of 6 teams each.

### 2.2. Tournament Phases

#### 2.2.1. PHASE A

During this phase, all teams will play against all teams within their group, “round robin”. Thus each team will play 5 games within the respective group. Duration of this phase is 3 days.

**Total number of games in Phase A =>16 groups\*6\*5/2 =240 games.**

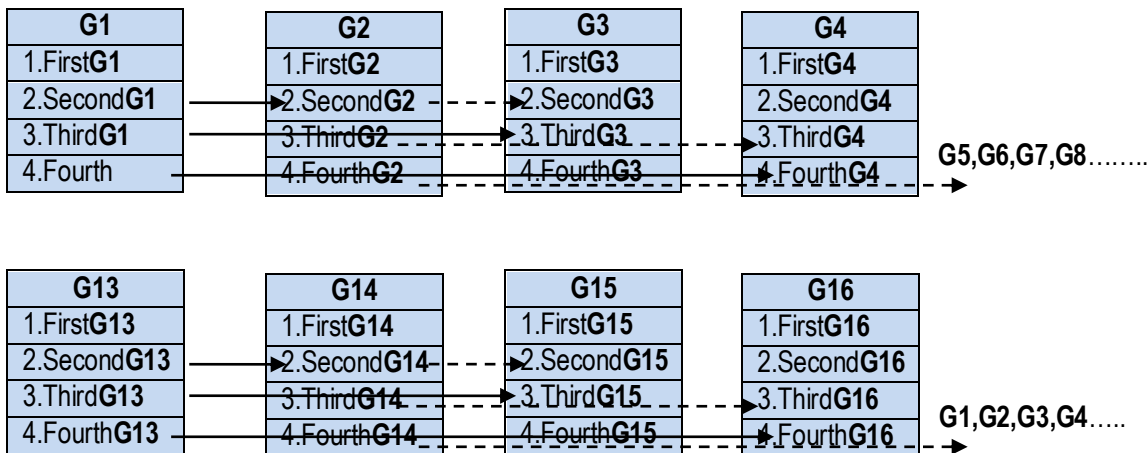
## 2.2.2. PHASE B

Once the games will be over within each group (Phase A), the first four teams per group will move forward forming 16 new groups.

The teams placed first remain in the same group, while the next 3 teams (placed 2°,3°,4°) are moved forming 16 new groups of 4. Thus we run a transposition of teams from one group to another according to their ranking.

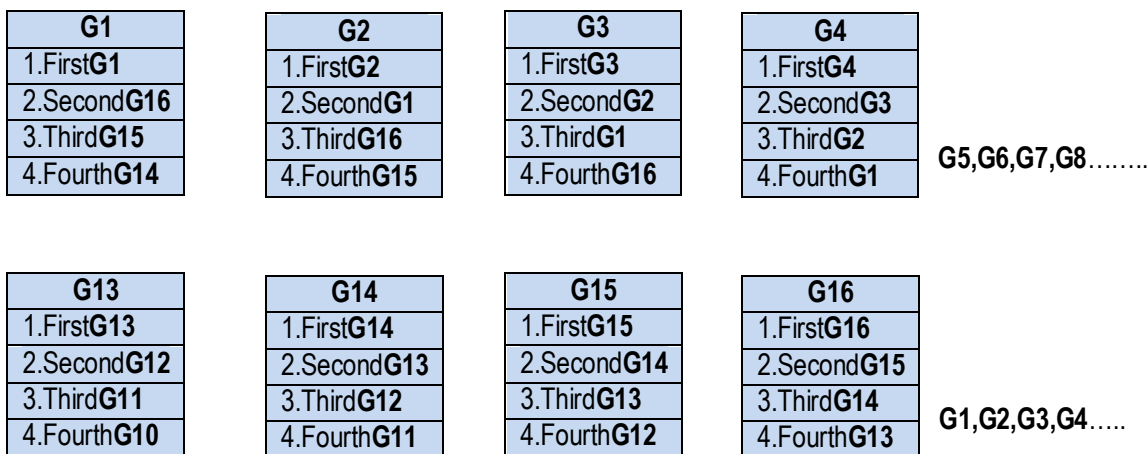
In this way, new groups are formed containing different teams comparing Phase A.

The transposition will be based on this scheme.



**Fig 1.1 Groups composition in the end of Phase A**

At the beginning of Phase B, the new groups will be as following:



**Fig 1.2 Groups composition at the beginning of Phase B**

Practically, each team will be moved to the successive group/groups with “steps” based on their ranking.

The number of “steps” is equal to its position in the group minus 1.

**Example:** For the group **G1**,

- 1° place will not be moved
- 2° place will be moved to the group G2 (one “step”)
- 3° place will be moved to the group G3 (two “steps”)
- 4° place will be moved to the group G4 (three “steps”)

For the group **G2**,

- 1° place will not be moved
- 2° place will be moved to the group G3 (one “step”)
- 3° place will be moved to the group G4 (two “steps”)
- 4° place will be moved to the group G5 (three “steps”)

For the last groups, the teams will be moved to the first ones. For instance:

For the group **G14**,

- 1° place will not be moved
- 2° place will be moved to the group G15 (one “step”)
- 3° place will be moved to the group G16 (two “steps”)
- 4° place will be moved to the group G1 (three “steps”)

And so on for each group.

After the transposition is over, all **16** groups will have a totally different teams combination .

**Nr of matches=Total number of matches during Phase B=>16\*4\*3/2=96 games.**

## 2.2.3. PHASE C

### 2.2.3.1 HaBaWaBa Gold Tournament - U11

At the end of **Phase B**, the first two teams per group, based on their ranking, move forward to the **HaBaWaBa Gold** tournament (32 participants). All 32 teams, form couples as per the following competition tree according to their ranking:



**Number of matches=31**

### 2.2.3.2 HaBaWaBa Silver Tournament – U11

At the end of phase B the 3<sup>rd</sup> and 4<sup>th</sup> ranked teams proceed according the “**HaBaWaBa Silver**” tournament tree (32 participants)



**Number of matches=31**

### 2.2.3.3 HaBaWaBa Bronze tournament U-11

The teams ranked 5<sup>th</sup> and 6<sup>th</sup> in each group during Phase A will play for the **HaBaWaBa Bronze** tournament (32 participants) as per Silver and Bronze competition trees

**Number of matches=31**

**Total number of matches= 252+96+31+31+31=441**

## 3. U09 Category (2008-2009)

Below are explained the tournament phases for the U09 Category

### 3.1. Groups

The U09 tournament is composed from 4 group of 6 teams each.

## 3.2. Tournament Phases

### 3.2.1. PHASE A

During this phase, all teams will play against all teams within their group, “round robin”. Thus each team will play 5 games within the respective group.

**Total number of games in Phase A =>4 groups\*6\*5/2 =60 games.**

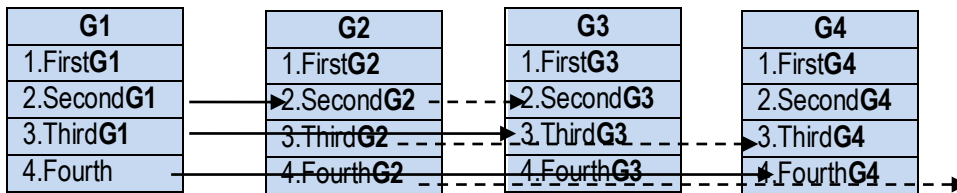
### 3.2.2. PHASE B

Once the games will be over within each group (Phase A), the first four teams per group will move forward forming 4 new groups.

The teams placed first remain in the same group, while the next 3 teams (placed 2°,3°,4°) are moved forming 4 new groups of 4. Thus we run a transposition of teams from one group to another according to their ranking.

In this way, new groups are formed containing different teams comparing Phase A.

The transposition will be based on this scheme.



**Fig 1.2 Groups composition at the beginning of Phase B**

Practically, each team will be moved to the successive group/groups with “steps” based on their ranking.

The number of “steps” is equal to its position in the group minus 1.

**Example:** For the group **G1**,

- 1° place will not be moved
- 2° place will be moved to the group G2 (one “step”)
- 3° place will be moved to the group G3 (two “steps”)
- 4° place will be moved to the group G4 (three “steps”)

For the group **G2**,

- 1° place will not be moved
- 2° place will be moved to the group G3 (one “step”)
- 3° place will be moved to the group G4 (two “steps”)
- 4° place will be moved to the group G1 (three “steps”)

And so on for each group.

After the transposition is over, all 4 groups will have a totally different teams combination .

**Nr of matches=Total number of matches during Phase B=>4\*4\*3/2=24 games.**

### 3.2.3. PHASE C

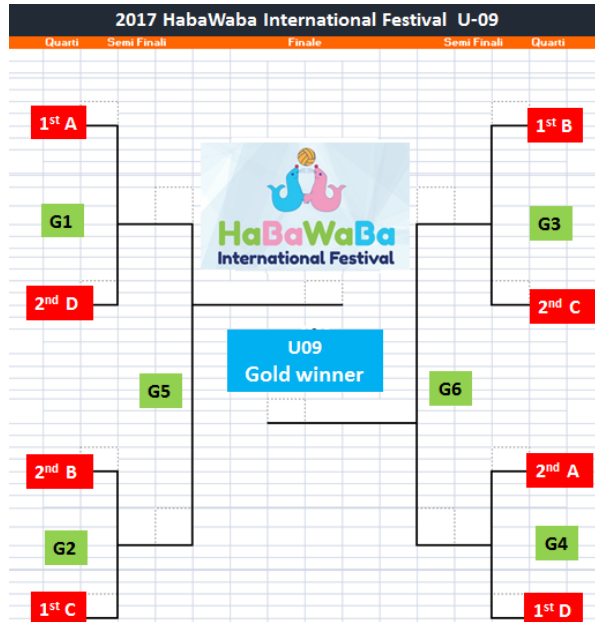
#### 3.2.3.1 HaBaWaBa Gold Tournament - U09

At the end of **Phase B**, the first two teams per group, based on their ranking, move forward to the **HaBaWaBa Gold** tournament (8 participants)

#### Quarter Finals HaBaWaBa Gold

All 8 teams, form couples as following:

1. 1<sup>st</sup> Group A – 2<sup>nd</sup> Group D (game G1)
2. 2<sup>nd</sup> Group B- 1<sup>nd</sup> Group C (game G2)
3. 1<sup>st</sup> Group B – 2<sup>nd</sup> Group C (game G3)
4. 2<sup>nd</sup> Group A – 1<sup>st</sup> Group D (game G4)



#### Semifinal HaBaWaba Gold

The winners of the Quarter Finals HaBaWaBa Gold play for the semifinal's as per the scheme below:

1. Winner game G1 – Winner game G2 (game G5)
2. Winner game G3 - Winner game G4 (gameG6)

### Final HaBaWaBa Gold

The winners of the Semifinals HaBaWaBa Gold play for the final HaBaWaBa Gold as following:

Winner game G5 – Winner game G6 (game G7)

### Number of matches=7

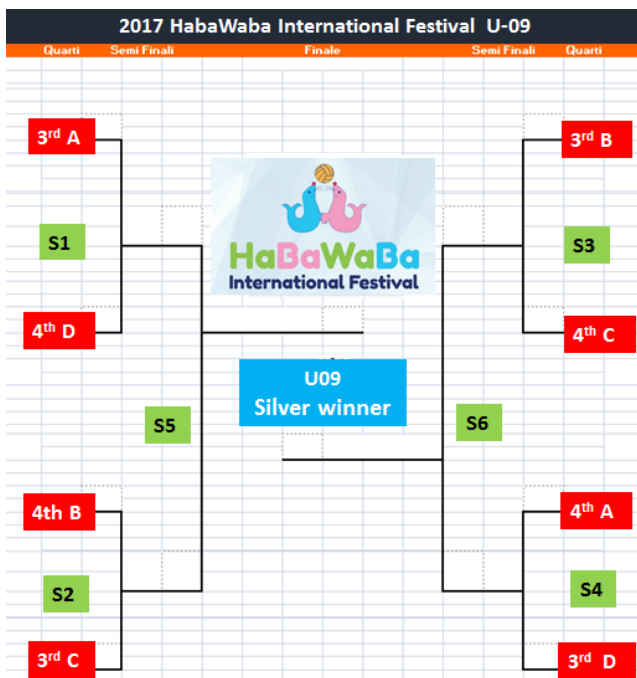
#### 3.2.3.2 HaBaWaBa Silver Tournament – U09

At the end of **Phase B**, the 3<sup>rd</sup> and 4<sup>th</sup> teams per group, based on their ranking, move forward to the **HaBaWaBa Silver** tournament (8 participants)

### Quarter Finals HaBaWaBa Silver

All 8 teams, form couples as following:

1. 3<sup>rd</sup> Group A – 4<sup>th</sup> Group D (game S1)
2. 4<sup>th</sup> Group B- 3<sup>rd</sup> Group C (game S2)
3. 3<sup>rd</sup> Group B – 4<sup>th</sup> Group C (game S3)
4. 4<sup>th</sup> Group A – 3<sup>rd</sup> Group D (game S4)





### Semifinal HaBaWaBa Silver

The winners of the Quarter Finals HaBaWaBa Silver play for the semifinals as per the scheme below:

1. Winner game S1 – Winner game S2 (game S5)
2. Winner game S3 - Winner game S4 (game S6)

### Final HaBaWaBa Silver

The winners of the Semifinals HaBaWaBa Silver play for the final HaBaWaBa Silver as following:

Winner game S5 – Winner game S6 (game S7)

### Number of matches=7

#### 3.2.3.3 HaBaWaBa Bronze Tournament U-09

At the end of **Phase A**, the 5<sup>th</sup> and 6<sup>th</sup> ranked teams proceed as following (8 participants)

### Quarter Finals HaBaWaBa Bronze

All 8 teams, form couples as following:

1. 5<sup>th</sup> Group A – 6<sup>th</sup> Group D (game B1)
2. 6<sup>th</sup> Group B- 5<sup>th</sup> Group C (game B2)
3. 5<sup>th</sup> Group B – 6<sup>th</sup> Group C (game B3)
4. 6<sup>th</sup> Group A – 5<sup>th</sup> Group D (game B4)



### **Semifinal HaBaWaBa Bronze**

The winners of the Quarter Finals HaBaWaBa Bronze play for the semifinals as per the scheme below:

1. Winner game B1 – Winner game B2 (game B5)
2. Winner game B3 - Winner game B4 (game B6)

### **Final HaBaWaBa Bronze**

The winners of the Semifinals HaBaWaBa Bronze play for the final HaBaWaBa Bronze as following:

Winner game B5 – Winner game B6 (game B7)

**Number of matches=7**

**Total number of matches= 60+40+7+7+7=121**