

# HaBaWaBa International Festival 2019

## FORMAT OF THE U11 & U09 TOURNAMENTS

### Summary

1.	General.....	2
2.	Category U11 (Born 2008 and later).....	2
2.1	Tournament Phases:.....	2
2.1.1	PHASE A .....	2
2.1.2	PHASE B .....	2
2.1.2.1	PHASE B1 .....	2
2.1.2.2	PHASE B2 .....	4
2.1.3	PHASE C .....	4
2.1.3.1	HaBaWaBa Gold Tournament - U11 .....	4
2.1.3.2	HaBaWaBa Silver Tournament - U11.....	5
2.1.3.3	HaBaWaBa Bronze Tournament - U11 .....	5
2.1.3.4	HaBaWaBa Rock&Pop Tournament - U11 .....	6
2.2	Rounds .....	6
2.3	Tournament Phases .....	6
3.2.1	PHASE A .....	6
3.2.2	PHASE B .....	6
3.2.2.1	PHASE B1 .....	6
3.2.2.2	PHASE B2 .....	7
3.2.3	PHASE C .....	7
3.2.3.1	HaBaWaBa Gold Tournament - U09 .....	7
3.2.3.2	HaBaWaBa Silver Tournament - U09.....	8
3.2.3.3	HaBaWaBa Bronze Tournament - U09 .....	9

## 1. General

This document summarizes the tournament formats of the "**HaBaWaBa International Festival 2019**"

The respective tournaments are divided into two categories based on age:

- "**Category U11**" for those born in 2008 and later
- "**Category U09**" for those born in 2010 and later

The total number of participating teams amounts to **136**:

- **112** teams in the **U11** category
- **24** teams in the **U09** category

The tournament takes place over **6** days.

The facilities at the Bella Italia resort consist of **six playing fields** where:

- Five fields are allocated to matches in the U11 category
- One field is dedicated to matches of the U09 category

The tournament will take place in several stages, as explained in the next paragraphs ending with the finals of the tournaments in the last part of the event.

## 2. Category U11 (Born 2008 and later)

Below are the various stages of the tournament for the U11 category

The U11 tournament will consist of 16 Groups of 7 teams

### 2.1 Tournament Phases:

#### 2.1.1 PHASE A

In this phase, all teams meet up with the teams in Round-Robin tournament (or all-play-all tournament), so each team will play 6 games within their own Group. *The duration of this phase is 3 days.*

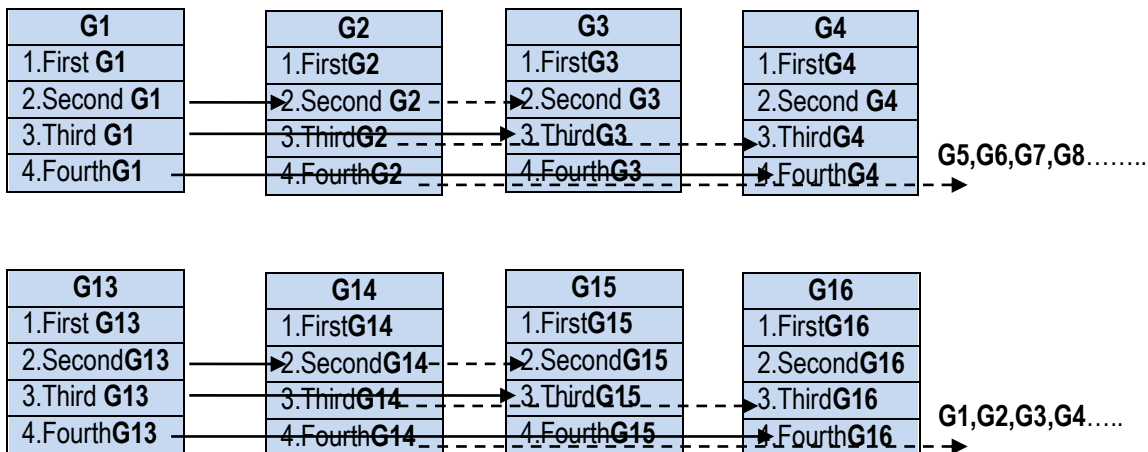
**Total number of matches in Phase A => 16 groups x( 7x 6 /2) = 336 games**

#### 2.1.2 PHASE B

##### 2.1.2.1 PHASE B1

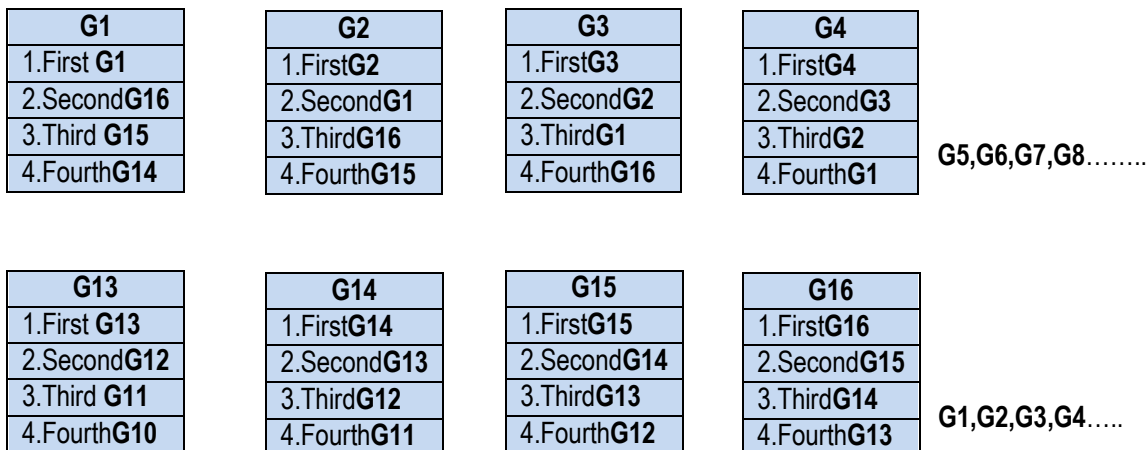
After the Phase (Stage A) Round Robin group matches, the first 4 ranked teams form 16 new Groups. The 1<sup>st</sup> placed team remains in the same Group, while the other 3 teams (2<sup>nd</sup>, 3<sup>rd</sup>, and 4<sup>th</sup>) form 16 new Groups of 4-teams. These teams are allocated from one group to another according to their rankings.

In practice, all the Rounds are made up of Groups of different teams, each team meeting up with 3 different teams from their opponents in Stage A. The reallocation of the Groups is carried out according to the following formula:



**Fig 1.1 Composition of the Rounds at the end of Phase A**

At the beginning of Phase B1, the composition of the new Groups will be as follows:



**Fig 1.2 Composition of the Groups at the start of Phase B1**

In practice, each team moves on into the next rounds in "steps", according to their rankings.

The number of "steps" is equal to your position in the Group standings minus 1.

**Example: In the G1 Group,**

- 1st ranked will not be moved
- 2nd ranked is moved to G2 (a "step")
- 3rd ranked is moved to G3 (two "steps")
- 4th ranked is moved to G4 (three "steps")

**In the G2 Group,**

- 1st ranked will not be moved

- 2nd ranked is moved to G3 (a "step")
- 3rd ranked is moved to G4 (two "steps")
- 4th ranked is moved to G5 (three "steps")

When you get to the last group, the teams are moved to the first as shown in the next example.

**In the G14 Group,**

- 1st ranked will not be moved
- 2nd ranked is moved to G15 (a "step")
- 3rd ranked is moved to G16 (two "steps")
- 4th ranked is moved to G1 (three "steps")

And so on for each group.

After the transition, all 16 Groups will have totally different combination of teams.

**Total Number of Matches in Phase B1 =>  $16 \cdot 4 \cdot 3 / 2 = 96$  matches.**

### 2.1.2.2 PHASE B2

After finishing the Round Robin matches within Phase A, the last 3 or 4 teams make up 16 new Groups. The 5<sup>th</sup> ranked team remains in the same Group while the other 2 teams (6<sup>th</sup>, 7<sup>th</sup>) form 16 new Groups of 3 teams. These groups are moved on into one group to another according to their rankings.

In practice, all Groups are allocated totally different teams, where each team will play against 2 different teams from those of stage A.

The reallocation of the teams is carried out according to the diagram explained above for PHASE B1.

**Total Number of Matches in Phase B1 => 16 groups ( $3 \cdot 2 / 2$ ) = 48 matches.**

### 2.1.3 PHASE C

#### 2.1.3.1 HaBaWaBa Gold Tournament - U11

At the end of **Phase B1**, according to the classification, **the first 2 ranked teams in each Group** will form the main tournament with **32** participants. The first matches in the HaBaWaBa Gold tournament tree are decided based on these rankings.



**Number of Matches=31**

### 2.1.3.2 HaBaWaBa Silver Tournament - U11

At the end of **Phase B1**, according to the classification, **the 3rd and 4th** ranked teams proceed to the "**HaBaWaBa Silver**" Tournament (32 participating teams).



**Number of Matches=31**

### 2.1.3.3 HaBaWaBa Bronze Tournament - U11

At the end of Phase B1, according to the classification, **the 5th and 6th** ranked teams proceed in the "**HaBaWaBa Bronze**" tournament (32 participating teams).

They form a tree similar to those above for the Gold and Silver tournaments.

**Number of Matches=31**

### 2.1.3.4 HaBaWaBa Rock&Pop Tournament - U11

At the end of Phase B2, according to the classification, the seventh placed team proceeds to the "**HaBaWaBa Rock & Pop Tournament -U11**" (16 participating teams).

They form a tree similar to the ones above for the Gold, Silver and Bronze tournaments.

**Total Matches=336 +96+48+31+31+31+15= 588**

## Category U09 (Born 2009 and later)

Below are the stages of the tournament for the U09 teams

### 2.2 Rounds

The tournament will consist of 4 Groups with 6 teams each

### 2.3 Tournament Phases

#### 3.2.1 PHASE A

In this phase, all teams play against the teams within their Group in a **Round Robin** system, that is, every team meets up with the other teams in their own group.

**Total Number of Matches in Phase A=4 Groups  $6*5/2 = 60$  matches**

#### 3.2.2 PHASE B

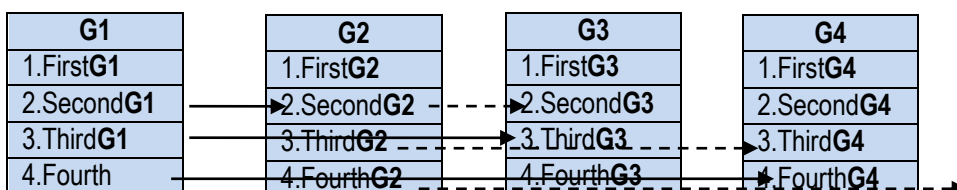
##### 3.2.2.1 PHASE B1

After the matches in Stage A, the first 4 teams in each group will form 4 new Groups.

The top ranked team remains in the same team, while the other 3 teams (2nd, 3rd, 4th) form 4 new Groups of 4 teams. These groups are moved on from one group to another according to their rankings. In practice, all the Groups are made up of totally different teams from Phase A.

The reallocation is based on the following formula:

:



**Fig 1.2 Composition of the Groups at the start of Phase B**

In practice each team is moved to the next round in "steps" according to their ranking.

The number of "steps" is equal to their position in the classification minus 1.

**Example :In the G1 Group,**

- 1<sup>st</sup> ranked will not be moved
- 2<sup>nd</sup> ranked is moved to G2 (a "step")
- 3<sup>rd</sup> ranked is moved to G3 (two "steps")
- 4<sup>th</sup> ranked is moved to G4 (three "steps")

**In the G2 Group,**

- 1<sup>st</sup> ranked will not be moved
- 2<sup>nd</sup> ranked is moved to G3 (one "step")
- 3<sup>rd</sup> ranked is moved to G4 (two "steps")
- 4<sup>th</sup> ranked is moved to G1 (three "steps")

And so on for each group.

After the reallocation, all 4 groups will have a totally different combination of teams..

**Number of Matches = Total Number of Matches of Phase B1=4\*4\*3/2 = 24 matches.**

### 3.2.2.2 PHASE B2

The 5<sup>th</sup> and 6<sup>th</sup> ranked teams will form 1 new group (G5) consisting of 8 teams and they will play a Round Robin Round, i.e. each team will play against the other teams in their own group.

**Number of Matches = Total Number of Matches of Phase B2=8\*7/2 = 28 matches.**

### 3.2.3 PHASE C

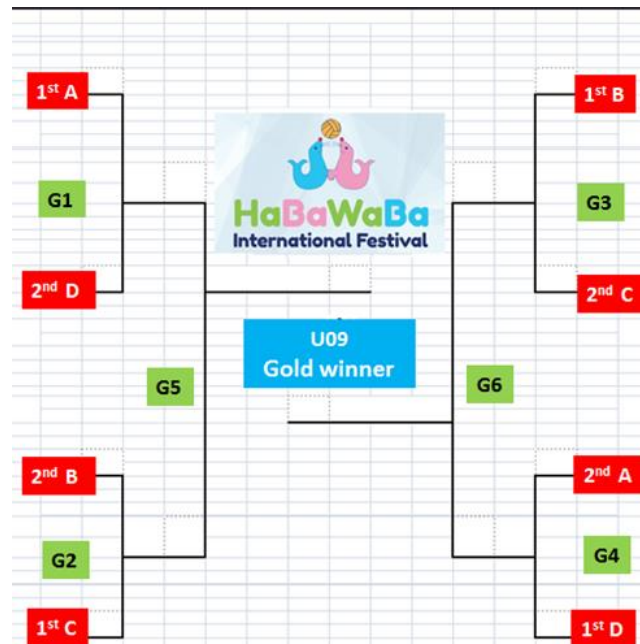
#### 3.2.3.1 HaBaWaBa Gold Tournament - U09

At the end of Stage B1, the first two teams per group, based on the rankings, go onto play in the HaBaWaBa Gold Tournament (8 participants)

#### **Quarter Finals of the HaBaWaBa Gold Tournament**

The 8 teams form pairs as follows:

1. 1<sup>st</sup> Group A - 2<sup>nd</sup> Group D (Match G1)
2. 2<sup>nd</sup> Group B – 1<sup>st</sup> Group C (Match G2)
3. 1<sup>st</sup> Group B - 2<sup>nd</sup> Group C (Match G3)
4. 2<sup>nd</sup> Group A - 1<sup>st</sup> Group D (Party G4)



### Semi-Finals of the HaBaWaBa Gold

The Quarter-Final winners of the HaBaWaBa Gold Tournament play off in the Semi Finals as follows:

1. Match Winner G1 - Match Winner G2 (Match G5)
2. Match Winner G3 - Match Winner G4 (Match G6)

### Final of the HaBaWaBa Gold t

The winners of the HaBaWaBa Gold Semi-Finals go through to the Final of the HabaWaBa Gold Tournament as follows:

Match Winner G5 - Match Winner G6 (Match G7)

**Total Number of Matches= 7**

### 3.2.3.2 HaBaWaBa Silver Tournament - U09

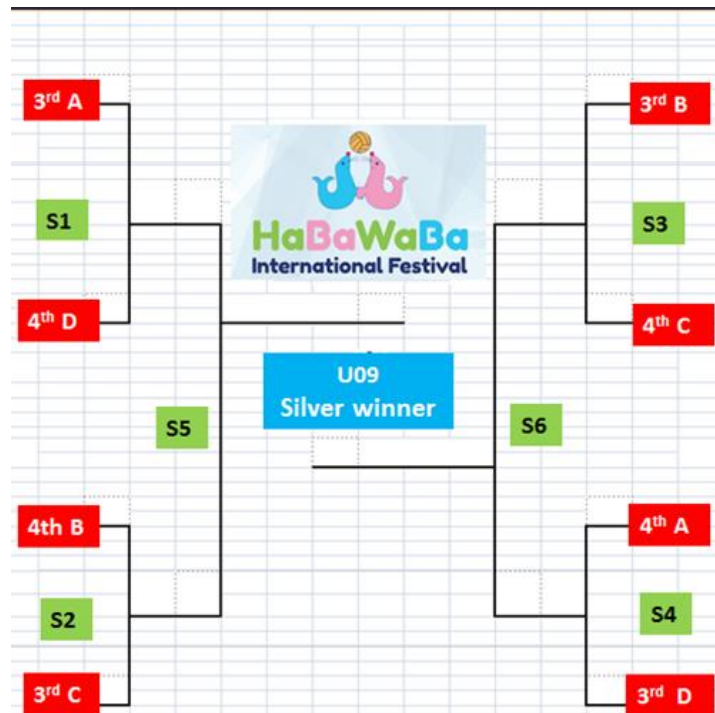
At the end of Stage B, the third and fourth ranked teams in each Group, based on the rankings, go through to the HaBaWaBa Silver tournament (8 participants)

### Quarter Finals of the HaBaWaBa Silver Tournament

The 8 teams form pairs as follows:

1. 3rd Group A - 4th Group D (Match S1)
2. 4th Group B- 3rd Group C (Match S2)
3. 3rd Group B - 4th Group C (Match S3)
4. 4th Group A - 3rd Group D (Match S4)





### Semi Final of the HaBaWaBa Silver

The Quarter-Final winners of the HaBaWaBa Silver Tournament go through to the Semi Finals as follows:

1. Winner Match S1 - Match Winner S2 (Match S5)
2. Winner Match S3 - Match Winner S4 (Match S6)

### Final of the HaBaWaBa Silver Tournament

The winners of the HaBaWaBa Silver Semi Finals play off in the Final of the HaBaWaBa Silver Tournament as follows:

Match Winner S5 - Match Winner S6 (Match S7)

**Number of Matches =7**

### 3.2.3.3 HaBaWaBa Bronze Tournament - U09

At the end of Stage B2, the teams go through to the HaBaWaBa Bronze Quarter Finals: 8 participants

### Quarter Finals of the HaBaWaBa Bronze Tournament

The 8 teams form pairs, as follows:

- 1st Group G5 - 8th Group G5 (Match B1)
- 2nd Group G5 – 7th Group G5 (Match B2)
- 3rd Group G5 – 6th Group G5 (Match B3)
- 4th Group G5 – 5th Group G5 (Match B4)

### **Semi Final of the HaBaWaBa Bronze**

The winners of the Quarter Finals of the HaBaWaBa Bronze Tournament play off in the Semi Finals as follows:

1. Winner Match B1 – Winner Match B4 (Match B5)
2. Winner Match B2 – Winner Match B3 (Match B6)

### **Final of the HaBaWaBa Bronze**

The winners of the HaBaWaBa Bronze Semi-Finals go play off in the HaBaWaBa Bronze Final as follows:

Match Winner B5 - Match Winner B6 (Match B7)

**Number of Matches=7**

**Total Number of Matches =60+24+28+7+7+7=133**